



# INDUSTRY-LEADING PERFORMANCE

**8,000 – 12,000 LB. CAPACITY  
INTERNAL COMBUSTION  
PNEUMATIC TIRE LIFT TRUCKS**

**CAT<sup>®</sup>**

# STRENGTH

## THAT YOU CAN DEPEND ON

### Built To Perform

Designed to operate in tough environments, the Cat® GP40N-GP55N/DP40N-DP55N series is equipped with a powerful engine and durable mast – delivering the rugged performance you need to get the job done.

#### ADVANTAGES TO YOU:

- 8,000 – 12,000 lb. lift capacities
- Controlled, yet powerful acceleration maximizes productivity
- 500-hour extended service intervals result in less maintenance for increased uptime
- Emission levels are well below Environmental Protection Agency (EPA) Tier 4 final requirements
- World-class service and support provided by the best dealer network in the industry

#### KEY APPLICATIONS:

This series thrives in heavy-duty applications where its strength can be put to the test:

- Fabricated metals
- Building Materials & Garden Supplies
- Lumber and Wood Products
- Primary and Fabricated Metals
- Stone, Clay and Glass
- Trucking and Warehousing
- Wholesale Trade



#### DURABILITY AND STRENGTH

One-piece steer axle reduces stress on the chassis and allows the lift truck to perform in rugged environments



#### ERGONOMIC DESIGN

Spacious operator compartment and full-suspension seat reduce operator fatigue and increase productivity



#### FUEL EFFICIENT, POWERFUL INTERNAL COMBUSTION ENGINES

EPA Tier 4 final compliant



#### FRONT-TO-BACK VISIBILITY

Narrow mast channels, with a large window of vision and a low profile counterweight, promote good visibility while traveling



\*over the previous generation.

# MORE POWER, MORE PERFORMANCE



## A Reliable Solution

Rugged lift trucks require high-performance engines to help carry the load. This Cat lift truck series is designed to work in tough conditions, while maintaining excellent fuel efficiency with less noise and vibration.

## The Result?

Greater uptime, less operator fatigue and lower overall operating costs.

### Benefits:

- Excellent horsepower and torque, while meeting EPA and CARB emission requirements for a cleaner working environment.
- Diesel models utilize a Diesel Oxidation Catalyst (DOC) and Exhaust Gas Recirculation (EGR) to effectively minimize harmful emissions from the combustion process.



## BOOST PRODUCTIVITY AND AWARENESS

A variety of options are available to further increase productivity and operator awareness:

- Fingertip hydraulic controls
- Climate-controlled panel cabs
- The awareness enhancement package – which includes a rearview mirror kit, rear LED work light and LED turn signals – helps keep the operator and others in the work area aware of the lift truck and its movements.

## ADDITIONAL HIGH-PERFORMANCE FEATURES:

- **Powershift Transmission** - The two-speed forward and one-speed reverse transmission helps the operator remain in control, while providing optimum power and performance.
- **Fuel Saver Mode** - Allows the operator to easily switch between “power mode” and “soft mode.”
- **Torque Converter** - Smoothly transfers the power from the engine and multiplies the torque sent to the transmission for increased power on demand.

# EXCEPTIONAL COMFORT: FOR A HARD DAY

## Increased Productivity, Less Fatigue

This series features an ergonomic design to help reduce stress and fatigue, while improving overall operator productivity.



### EXCEPTIONAL COMFORT

The full-suspension standard vinyl seat allows adjustment in numerous places to provide the operator with a comfortable ride.

- **Front and Back** – Slides up to 6.5 inches for operators of various heights
- **Suspension** – Adds support in the seat based on the weight of the operator
- **Lumbar Support** – Supports the operator's lower back
- **Fold Down Pin** – Allows the seat to move for easy access to the engine hood

### MAXIMUM UPTIME, MAXIMUM RESULTS

**Tilt Steering Column** – The lift truck's tilt steering column is equipped with a two-lever system designed to adjust and lock with the largest range possible.

#### Benefits:

- The forward position allows for extra clearance when opening and closing the engine cover, allowing easy access to the engine and other critical components.
- After daily inspections, the operator can return the steering column to the pre-set position based on their preferred comfort level using the "memory" function.

# DAY'S WORK

## PROTECTION THAT COUNTS

Dedicated to your security from the moment you step on the lift truck to the end of the shift, this series offers these standard features:

- 18-inch elongated grab bar for ease of entry/exit
- Anti-slip step plate for better foot control
- Highly-visible orange seat belt
- Electronic back-up alarm to increase awareness in the work area



More comfort

## A BETTER WORK ENVIRONMENT

A number of features are built into the lift truck to help minimize noise and vibration for greater operator comfort and efficiency.

- Rubber mounted key components
- A fully-insulated engine hood
- Helical transmission gears
- Internal wheel wells
- Hydraulic accumulator in the transmission control valve



More protection



More control



Local service and support



Genuine OEM parts



Custom financing packages

# MORE CONFIDENCE







Factory warranty for added protection



## Local Support You Can Count On

A Cat lift truck purchase connects you to a variety of material handling solutions, including world-class service and support from your local, trusted dealer. With trained service technicians, a diverse parts inventory and a broad selection of service options, your local dealer can help you lower costs, enhance productivity and more efficiently manage your business.

### FINANCING MADE SIMPLE

Financing your next Cat lift truck is easy with our wide range of flexible leasing and purchasing options. Whether you want to finance or lease, your local Cat lift truck dealer can help customize a package for your business.

### WHEN EVERY PART COUNTS

When buying from your local Cat lift truck dealer, you can rest assured that your genuine OEM parts are manufactured to meet original equipment criteria. Additionally, all Cat lift trucks OEM parts come with a six-month, unlimited-hours warranty.

When speed is critical, our Parts Fast Or Parts Free Guarantee\* ensures next-business-day delivery of all Cat lift trucks parts, or they're free, including freight. If your part doesn't come in by the next business day, we pay for it.

### STANDING BEHIND OUR PRODUCTS

We deliver peace of mind by helping your lift trucks stay on the job. Every new Cat lift truck is covered by a 1-year / 2,000-hours warranty that includes parts and labor, as well as components and systems. With our standard 2-year / 4,000-hours extended powertrain warranty, you'll have the confidence that only comes from owning a Cat lift truck.

\* At dealer's location.

† Programs may be subject to change without notice and may vary by region. Please ask your local Cat lift truck dealer for complete terms and conditions.

## Specifications

Characteristics				GP40N		GP45N	
1	Capacity at rated load center	lb	kg	8,000	4,000	9,000	4,500
2	Load center – distance	in	mm	24	500	24	500
3	Power – electric, diesel, gasoline, LP gas			dual fuel: gasoline / LP gas		dual fuel: gasoline / LP gas	
4	Tire type – cushion, pneumatic			pneumatic		pneumatic	
5	Wheels – number front / rear (x = driven)			2x / 2		2x / 2	
Dimensions				GP40N		GP45N	
6	Maximum fork height (top of fork) <sup>1)</sup>	in	mm	132	3,350	132	3,350
7	Free fork height <sup>1)</sup>	in	mm	5.9	150	5.9	150
8	Fork thickness x length x width	in	mm	2x48x5.9	50x1,220x150	2x48x5.9	50x1,220x150
9	Fork spacing – out-to-out minimum / maximum	in	mm	12.6 / 46.6	320 / 1,184	12.6 / 46.6	320 / 1,184
10	Tilt – forward / backward		deg	6° / 10°		6° / 10°	
11	Length to fork face	in	mm	118	3,000	123	3,130
12	Width with standard tires	in	mm	55.7	1,415	57.5	1,460
13	Width with optional duals	in	mm	77.4	1,965	77.4	1,965
14	Height with lowered mast	in	mm	91.3	2,320	91.3	2,320
15	Seat height	in	mm	42.6	1,082	42.6	1,082
16	Height to top of overhead guard	in	mm	90.5	2,296	90.5	2,296
17	Height with extended mast	in	mm	180	4,570	180	4,570
18	Minimum outside turning radius	in	mm	102	2,580	107	2,730
19	Load moment constant	in	mm	22.7	577	22.7	577
20	Minimum aisle – 90° stack – zero clearance without load	in	mm	124	3,157	130	3,307
Performance				GP40N		GP45N	
21	Travel speed* loaded / empty	fpm	km/h	13.7 / 14.0	22.0 / 22.5	13.7 / 14.0	22.0 / 22.5
22	Lift speed loaded / empty	fpm	m/s	112 / 118	0.57 / 0.60	112 / 118	0.57 / 0.60
23	Lowering speed loaded / empty	fpm	m/s	98.4 / 98.4	0.5 / 0.5	98.4 / 98.4	0.5 / 0.5
24	Drawbar pull – loaded at 1 mph (1.6 km)	lb	N	6,300	28,000	6,300	28,000
25	Drawbar pull – loaded maximum	lb	N	8,700	38,500	8,400	37,500
26	Gradeability – loaded at 1 mph (1.6 km)		%	32.0		28.9	
27	Gradeability – maximum loaded		%	45.8		40.2	
Weight				GP40N		GP45N	
28	Empty	lb	kg	12,920	5,860	13,820	6,270
29	Axle load with rated load front / rear	lb	kg	18,630 / 2,290	8,450 / 1,040	20,240 / 2,580	9,180 / 1,170
30	Axle load without load front / rear	lb	kg	5,750 / 7,170	2,610 / 3,250	6,060 / 7,760	2,750 / 3,520
Chassis				GP40N		GP45N	
31	Tire size – front, standard		in	8.25–15–14PR		300–15–18PR	
32	Tire size – front, optional duals		in	8.25–15–12PR		8.25–15–12PR	
33	Tire size – rear		in	7.00–12–12PR		7.00–12–12PR	
34	Wheelbase	in	mm	72.8	1,850	78.7	2,000
35	Tread width – front (standard, optional duals)	in	mm	46.3 / 56.9	1,175 / 1,445	46.3 / 56.9	1,175 / 1,445
36	Tread width – rear tires	in	mm	46.5	1,180	46.5	1,180
37	Ground clearance at lowest point at mast	in	mm	5.9	150	5.9	150
38	Ground clearance at center of wheelbase	in	mm	8.9	227	8.9	227
39	Service brakes			foot, hydraulic		foot, hydraulic	
40	Parking brakes			hand, mechanical		hand, mechanical	
Powertrain				GP40N		GP45N	
41	Engine model			PSI 4X		PSI 4X	
42	Continuous output S.A.E. gross	HP	kW	97	72	97	72
43		at r.p.m.		2,450		2,450	
44	Maximum torque S.A.E. gross	lb-ft	N-m	207	280	207	280
45		at r.p.m.		1,200		1,200	
46	Cylinders / displacement	cu in	L	6 / 275	6 / 4.5	6 / 275	6 / 4.5
47	Transmission type			powershift		powershift	
48	Number of speeds forward / reverse			2 / 1		2 / 1	
49	Battery – volts			12		12	
50	Relief pressure for attachments	psi	bar	2,770	191	2,770	191
51	Noise level – mean value at operator's ear Leq		dB(A)	83		83	

1) with standard two-stage mast

GP50CN			GP50N			GP55N		
1	lb	kg	10,000	5,000	11,000	5,000	12,000	5,500
2	in	mm	24	500	24	600	24	600
3			dual fuel: gasoline / LP gas		dual fuel: gasoline / LP gas		dual fuel: gasoline / LP gas	
4			pneumatic		pneumatic		pneumatic	
5			2x / 2		2x / 2		2x / 2	
GP50CN			GP50N			GP55N		
6	in	mm	132	3,350	132	3,360	132	3,360
7	in	mm	5.9	150	6.3	160	6.3	160
8	in	mm	2x48x5.9	50x1,220x150	2.4x48x5.9	60x1,220x150	2.4x48x5.9	60x1,220x150
9	in	mm	12.6 / 46.6	320 / 1,184	12.6 / 46.6	320 / 1,184	12.6 / 46.6	320 / 1,184
10	deg	6° / 10°		6° / 10°		6° / 10°		
11	in	mm	125	3,170	130	3,310	132	3,360
12	in	mm	57.5	1,460	57.5	1,460	57.5	1,460
13	in	mm	77.4	1,965	77.4	1,965	77.4	1,965
14	in	mm	94.5	2,400	94.5	2,400	94.5	2,400
15	in	mm	42.6	1,082	42.6	1,082	42.6	1,082
16	in	mm	90.5	2,296	90.5	2,296	90.5	2,296
17	in	mm	180	4,570	181	4,590	181	4,590
18	in	mm	109	2,760	114	2,890	116	2,940
19	in	mm	22.9	582	23.7	602	23.7	602
20	in	mm	132	3,342	137	3,492	139	3,542
GP50CN			GP50N			GP55N		
21	fpm	km/h	13.7 / 14.0	22.0 / 22.5	13.7 / 14.0	22.0 / 22.5	13.4 / 14.0	21.5 / 22.5
22	fpm	m/s	96.5 / 102	0.49 / 0.52	96.5 / 102	0.49 / 0.52	96.5 / 102	0.49 / 0.52
23	fpm	m/s	98.4 / 98.4	0.5 / 0.5	98.4 / 98.4	0.5 / 0.5	98.4 / 98.4	0.5 / 0.5
24	lb	N	6,200	27,500	6,100	27,000	6,100	27,000
25	lb	N	8,400	37,500	8,400	37,500	8,400	37,500
26	%	25.9		23.3		21.5		
27	%	36.2		33.0		30.7		
GP50CN			GP50N			GP55N		
28	lb	kg	14,970	6,790	15,960	7,240	16,690	7,570
29	lb	kg	22,190 / 2,780	10,060 / 1,260	24,210 / 2,750	10,980 / 1,250	25,710 / 2,980	11,660 / 1,350
30	lb	kg	6,330 / 8,640	2,870 / 3,920	7,030 / 8,930	3,190 / 4,050	6,900 / 9,790	3,130 / 4,440
GP50CN			GP50N			GP55N		
31	in		300-15-18PR		300-15-18PR		300-15-18PR	
32	in		8.25-15-12PR		8.25-15-12PR		8.25-15-12PR	
33	in		7.00-12-12PR		7.00-12-14PR		7.00-12-14PR	
34	in	mm	78.7	2,000	84.6	2,150	84.6	2,150
35	in	mm	46.3 / 56.9	1,175 / 1,445	46.3 / 56.9	1,175 / 1,445	46.3 / 56.9	1,175 / 1,445
36	in	mm	46.5	1,180	46.5	1,180	46.5	1,180
37	in	mm	5.9	150	5.9	150	5.9	150
38	in	mm	8.9	227	8.9	227	8.9	227
39			foot, hydraulic		foot, hydraulic		foot, hydraulic	
40			hand, mechanical		hand, mechanical		hand, mechanical	
GP50CN			GP50N			GP55N		
41			PSI 4X		PSI 4X		PSI 4X	
42	HP	kW	97	72	97	72	97	72
43	at r.p.m.		2,450		2,450		2,450	
44	lb-ft	N-m	207	280	207	280	207	280
45	at r.p.m.		1,200		1,200		1,200	
46	cu in	L	6 / 275	6 / 4.5	6 / 275	6 / 4.5	6 / 275	6 / 4.5
47			powershift		powershift		powershift	
48			2 / 1		2/1		2/1	
49			12		12		12	
50	psi	bar	2,770	191	2,770	191	2,770	191
51	dB(A)		83		83		83	

**NOTE:** These specifications assume the use of drive axles, tires and tilt angles specified. Any modification to specifications, or any other combination of specifications made after the shipment of the truck, requires prior written approval from Mitsubishi Logisnext Americas Inc. (See ANSI/ITSDF B56.1.) Also be advised that overall operating visibility may be affected by the mast configuration and mast options of your truck. Therefore, you may need to add ancillary [auxiliary] devices or modify your operating practices. Consult your dealer for further information.

## Specifications

Characteristics				DP40N		DP45N	
1	Capacity at rated load center	lb	kg	8,000	4,000	9,000	4,500
2	Load center – distance	in	mm	24	500	24	500
3	Power – electric, diesel, gasoline, LP gas			diesel		diesel	
4	Tire type – cushion, pneumatic			pneumatic		pneumatic	
5	Wheels – number front / rear (x = driven)			2x / 2		2x / 2	
Dimensions				DP40N		DP45N	
6	Maximum fork height (top of fork) <sup>1)</sup>	in	mm	132	3,350	132	3,350
7	Free fork height <sup>1)</sup>	in	mm	5.9	150	5.9	150
8	Fork thickness x length x width	in	mm	2x48x5.9	50x1,220x150	2x48x5.9	50x1,220x150
9	Fork spacing – out-to-out minimum / maximum	in	mm	12.6 / 46.6	320 / 1,184	12.6 / 46.6	320 / 1,184
10	Tilt – forward / backward	deg		6° / 10°		6° / 10°	
11	Length to fork face	in	mm	118	3,000	123	3,130
12	Width with standard tires	in	mm	55.7	1,415	57.5	1,460
13	Width with optional duals	in	mm	77.4	1,965	77.4	1,965
14	Height with lowered mast	in	mm	91.3	2,320	91.3	2,320
15	Seat height	in	mm	42.6	1,082	42.6	1,082
16	Height to top of overhead guard	in	mm	90.5	2,296	90.5	2,296
17	Height with extended mast	in	mm	180	4,570	180	4,570
18	Minimum outside turning radius	in	mm	102	2,580	107	2,730
19	Load moment constant	in	mm	22.7	577	22.7	577
20	Minimum aisle – 90° stack – zero clearance without load	in	mm	124	3,157	130	3,307
Performance				DP40N		DP45N	
21	Travel speed* loaded / empty	mph	km/h	13.4 / 14.0	21.5 / 22.5	13.4 / 14.0	21.5 / 22.5
22	Lift speed loaded / empty	fpm	m/s	120 / 126	0.61 / 0.64	118 / 126	0.60 / 0.64
23	Lowering speed loaded / empty	fpm	m/s	98 / 98	0.5 / 0.5	98 / 98	0.5 / 0.5
24	Drawbar pull – loaded at 1 mph (1.6 km)	lb	N	5,800	25,800	5,733	25,500
26	Gradeability – loaded at 1 mph (1.6 km)	%		27.4		24.7	
Weight				DP40N		DP45N	
28	Empty	lb	kg	13,118	5,950	14,024	6,360
29	Axle load with rated load front / rear	lb	kg	19,820 / 2,117	8,990 / 960	21,411 / 2,536	9,710 / 1,150
30	Axle load without load front / rear	lb	kg	5,931 / 7,188	2,690 / 3,260	6,130 / 7,894	2,780 / 3,580
Chassis				DP40N		DP45N	
31	Tire size – front, standard	in		8.25–15–14PR		300–15–18PR	
32	Tire size – front, optional duals	in		8.25–15–12PR		8.25–15–12PR	
33	Tire size – rear	in		7.00–12–12PR		7.00–12–12PR	
34	Wheelbase	in	mm	72.8	1,850	78.7	2,000
35	Tread width – front (standard, optional duals)	in	mm	46.3 / 56.9	1,175 / 1,445	46.3 / 56.9	1,175 / 1,445
36	Tread width – rear tires	in	mm	46.5	1,180	46.5	1,180
37	Ground clearance at lowest point at mast	in	mm	5.9	150	5.9	150
38	Ground clearance at center of wheelbase	in	mm	8.9	227	8.9	227
39	Service brakes			foot, hydraulic		foot, hydraulic	
40	Parking brakes			hand, mechanical		hand, mechanical	
Powertrain				DP40N		DP45N	
41	Engine model			4EGT		4EGT	
42	Continuous output S.A.E. gross	HP	kW	72	54	72	54
43		at r.p.m.		2250		2250	
44	Maximum torque S.A.E. gross	lb-ft	N-m	191.76	260	191.76	260
45		at r.p.m.		1,800		1,800	
46	Cylinders / displacement	cu in	L	4 / 203	4 / 3.33	4 / 203	4 / 3.33
47	Transmission type			powershift		powershift	
48	Number of speeds forward / reverse			2 / 1		2 / 1	
49	Battery – volts			12		12	
50	Relief pressure for attachments	psi	bar	2,770	191	2,770	191
51	Noise level – mean value at operator's ear Leq	dB(A)		83		83	

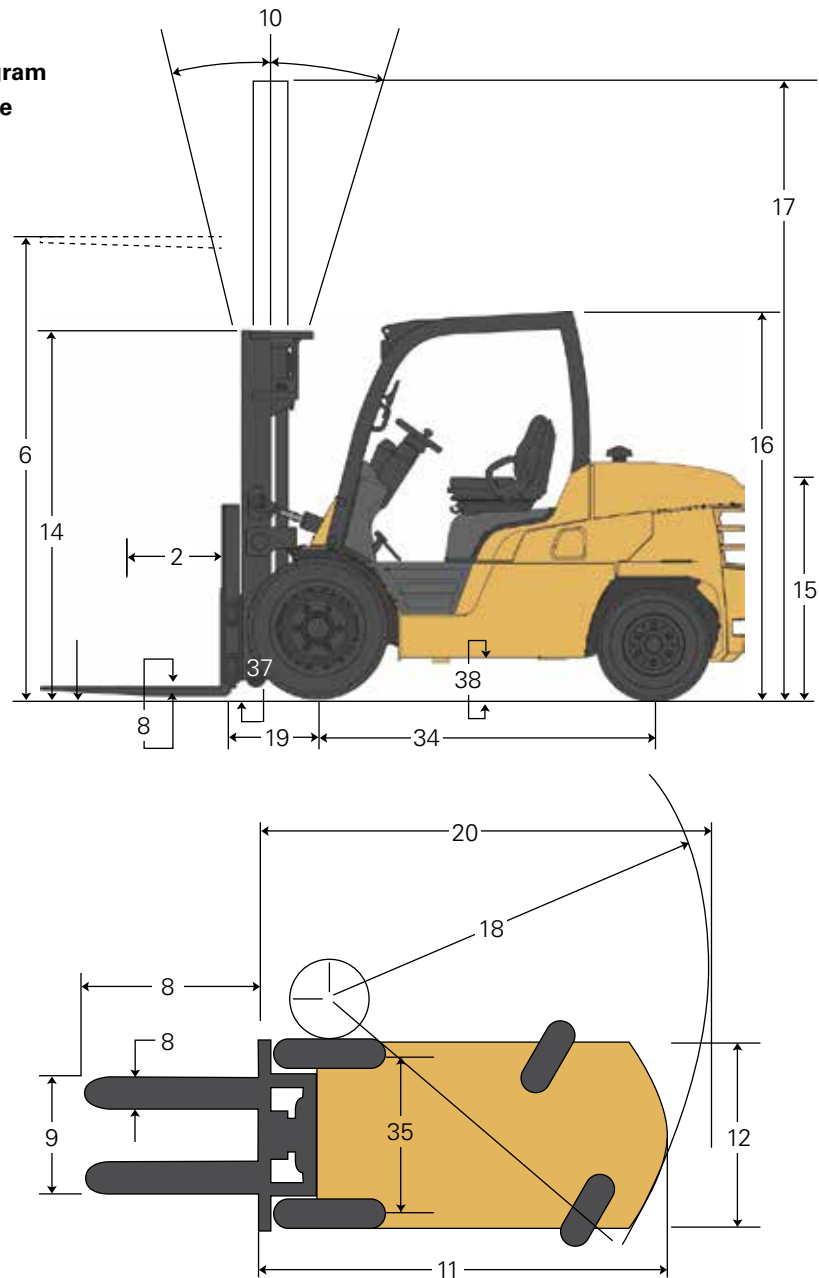
1) with standard two-stage mast

DISCLAIMER: The information in these materials is being provided for marketing and informational purposes only. Actual specifications, functions, and performance may vary from those set forth in these materials and are available upon request. Operators should always consult the applicable Logisnext Operator's Manual and/or Service Manuals prior to use. Nothing in these materials is intended to constitute a representation, warranty or guarantee for any equipment sold and Logisnext hereby disclaims the same.

DP50CN			DP50N			DP55N		
1	lb	kg	10,000	5,000	11,000	5,000	12,000	5,500
2	in	mm	24	500	24	600	24	600
3			diesel			diesel		
4			pneumatic			pneumatic		
5			2x / 2			2x / 2		
DP50CN			DP50N			DP55N		
6	in	mm	132	3,350	132	3,360	132	3,360
7	in	mm	5.9	150	6.3	160	6.3	160
8	in	mm	2x48x5.9	50x1,220x150	2.4x48x5.9	60x1,220x150	2.4x48x5.9	60x1,220x150
9	in	mm	12.6 / 46.6	320 / 1,184	12.6 / 46.6	320 / 1,184	12.6 / 46.6	320 / 1,184
10	deg	6° / 10°		6° / 10°		6° / 10°		
11	in	mm	125	3,170	130	3,310	132	3,360
12	in	mm	57.5	1,460	57.5	1,460	57.5	1,460
13	in	mm	77.4	1,965	77.4	1,965	77.4	1,965
14	in	mm	94.5	2,400	94.5	2,400	94.5	2,400
15	in	mm	42.6	1,082	42.6	1,082	42.6	1,082
16	in	mm	90.5	2,296	90.5	2,296	90.5	2,296
17	in	mm	180	4,570	181	4,590	181	4,590
18	in	mm	109	2,760	114	2,890	116	2,940
19	in	mm	22.9	582	23.7	602	23.7	602
20	in	mm	132	3,342	137	3,492	139	3,542
DP50CN			DP50N			DP55N		
21	fpm	km/h	13.0 / 13.7	21.0 / 22.0	13.0 / 13.7	21.0 / 22.0	12.7 / 13.7	20.5 / 22.0
22	fpm	m/s	102 / 108	0.52 / 0.55	102 / 108	0.52 / 0.55	100 / 108	0.51 / 0.55
23	fpm	m/s	98 / 98	0.5 / 0.5	98 / 98	0.5 / 0.5	98 / 98	0.5 / 0.5
24	lb	N	5,598	24,900	5,575	24,800	5,508	24,500
26	%	21.8		20.9		19.2		
DP50CN			DP50N			DP55N		
28	lb	kg	15,256	6,920	16,270	7,380	16,997	7,710
29	lb	kg	23,391 / 2,888	10,610 / 1,310	24,316 / 2,976	11,030 / 1,350	25,904 / 3,218	11,750 / 1,460
30	lb	kg	6,393 / 8,862	2,900 / 4,020	7,142 / 9,127	3,240 / 4,140	6,988 / 10,009	3,170 / 4,540
DP50CN			DP50N			DP55N		
31	in	300–15–18PR		300–15–18PR		300–15–18PR		
32	in	8.25–15–12PR		8.25–15–12PR		8.25–15–12PR		
33	in	7.00–12–12PR		7.00–12–14PR		7.00–12–14PR		
34	in	mm	78.7	2,000	84.6	2,150	84.6	2,150
35	in	mm	46.3 / 56.9	1,175 / 1,445	46.3 / 56.9	1,175 / 1,445	46.3 / 56.9	1,175 / 1,445
36	in	mm	46.5	1,180	46.5	1,180	46.5	1,180
37	in	mm	5.9	150	5.9	150	5.9	150
38	in	mm	8.9	227	8.9	227	8.9	227
39			foot, hydraulic			foot, hydraulic		
40			hand, mechanical			hand, mechanical		
DP50CN			DP50N			DP55N		
41			4EGT			4EGT		
42	HP	kW	72	54	72	54	72	54
43	at r.p.m.		2250			2250		
44	lb-ft	N-m	191.76	260	191.76	260	191.76	260
45	at r.p.m.		1,800			1,800		
46	cu in	L	4 / 203	4 / 3.33	4 / 203	4 / 3.33	4 / 203	4 / 3.33
47			powershift			powershift		
48			2/1			2/1		
49			12			12		
50	psi	bar	2,770	191	2,770	191	2,770	191
51	dB(A)		83			83		

**NOTE:** These specifications assume the use of drive axles, tires and tilt angles specified. Any modification to specifications, or any other combination of specifications made after the shipment of the truck, requires prior written approval from Mitsubishi Logisnext Americas Inc. (See ANSI/ITSDF B56.1.) Also be advised that overall operating visibility may be affected by the mast configuration and mast options of your truck. Therefore, you may need to add ancillary [auxiliary] devices or modify your operating practices. Consult your dealer for further information.

Call-out numbers shown in the diagram correspond to the first column of the specifications chart.



## Safety Standards

These trucks meet American National Standards Institute/Industrial Truck Standards Development Foundation, ANSI/ITSDF B56.1.

UL-Classified by Underwriters Laboratories, Inc., as to fire and electric shock hazard only. Availability: Types G, LP and D standard. Types GS and LPS Option (subject to availability). Users should be aware of, and adhere to, applicable codes and regulations regarding operator training, use, operation, and maintenance of powered industrial trucks, including:

- ANSI/ITSDF B56.1.
- NFPA 505, fire safety standard for powered industrial trucks — type designations, areas of use, maintenance and operation.
- Occupational Safety and Health Administration (OSHA) regulations that may apply.

Contact your Cat lift truck dealer for further information, including operator training programs and auxiliary visual and audible warning systems, fire extinguishers, etc., as available for specific user applications and requirements. Specifications, equipment, technical data, photos and illustrations based on information at time of printing and subject to change without notice. Some products may be shown with optional equipment.

# MORE OPTIONS

## Enhance Your Operation

Additional options are also available to further customize the lift truck for your business.

### Panel Cab Options:

- Front windshield with wiper
- Top panel with tempered glass for optimal viewing
- Back panel with fold-out glass panel
- Steel doors
- Heater
- Fan

### Optional Oil-Cooled Disc Brakes

Fully-enclosed oil-cooled disc brakes can help improve uptimes and lower maintenance costs in dusty or dirty applications.

### Productivity-Enhancing Options

Improve productivity and reduce the risk of premature component wear with optional wet-disc brakes, which include systems such as ProShift™ and controlled rollback to slow and control the lift truck.



Panel cab for added protection



Oil-cooled disc brakes



Controlled rollback

\*Ask your local dealer for a complete list of options.



**Your Cat lift truck dealer** can provide additional options and features to specialize your lift truck for your unique application. Operator training and custom financing programs are also available to help find the right fit for your business.

Helping move businesses forward – that’s how we’re built.

**1-800-CAT-LIFT | [www.logisnextamericas.com/cat](http://www.logisnextamericas.com/cat)**

© 2024 Mitsubishi Logisnext Americas Inc. CAT, CATERPILLAR, LET’S DO THE WORK, their respective logos, “Caterpillar Yellow”, the “Power Edge”, and Cat “Modern Hex” trade dress as well as corporate and product identity used herein, are trademarks of Caterpillar Inc., and may not be used without permission. All registered trademarks are the property of their respective owners.

Some products may be shown with optional equipment.

CECV0301-02

7/24

